



bluecube

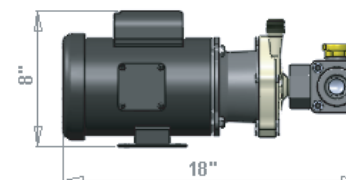
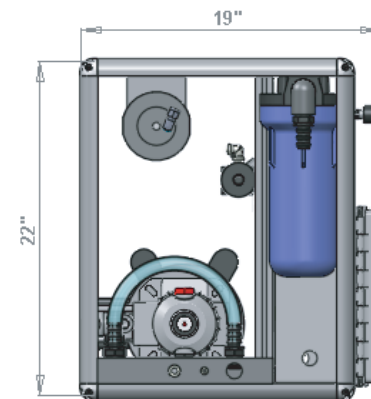
500GPD Continuous
650GPD Peak Framed Watermaker

Specifications

Product Flow	0.35 GPM 1.32 LPM
Gallons / Day (Peak/Continuous)	650 / 500
Liters / Day (Peak/Continuous)	2460 / 1893
Cubic Meters / Tons Day	1.9

Product Quality	< 500PPM TDS
Product Pressure	< 25 PSI / 1.7 BAR
Inlet Pressure Required	Flooded - 40 PSI / 2.75 BAR
Inlet Connection	.75" FNPT
Overboard Connection	.50" FNPT
Product Connection	.25" FNPT
Power Requirements	230V @ 10A 1Ph. 50/60 Hz.

Drawings



Features

- 6063 T6 Modular Aluminum Frame
- 316 Stainless Steel Direct Drive RO Pump
- TEFC Electric Motor with Overload
- FRP Pressure Vessels
- Standard 2.5" Size Seawater Membranes
- Cartridge Pre-Filter with Clogging Status Indicator
- Automatic Product Water Quality Monitoring
- Non-Potable Water Diverter Valve
- 316SS High Pressure Shutdown Switch
- 316SS Low Pressure Shutdown Switch
- Integrated Membrane Cleaning System
- Corrosion Proof Magnetic Drive Boost Pump
- Product and Feed Water Flow Meters
- 2.5" 316SS Glycerin Filled Pressure Gauges
- NEMA 4X (IP56) Enclosure
- Solid State Controller With LCD Status Display and Keypad
- RO and Boost Pump Motor Starter and Overload